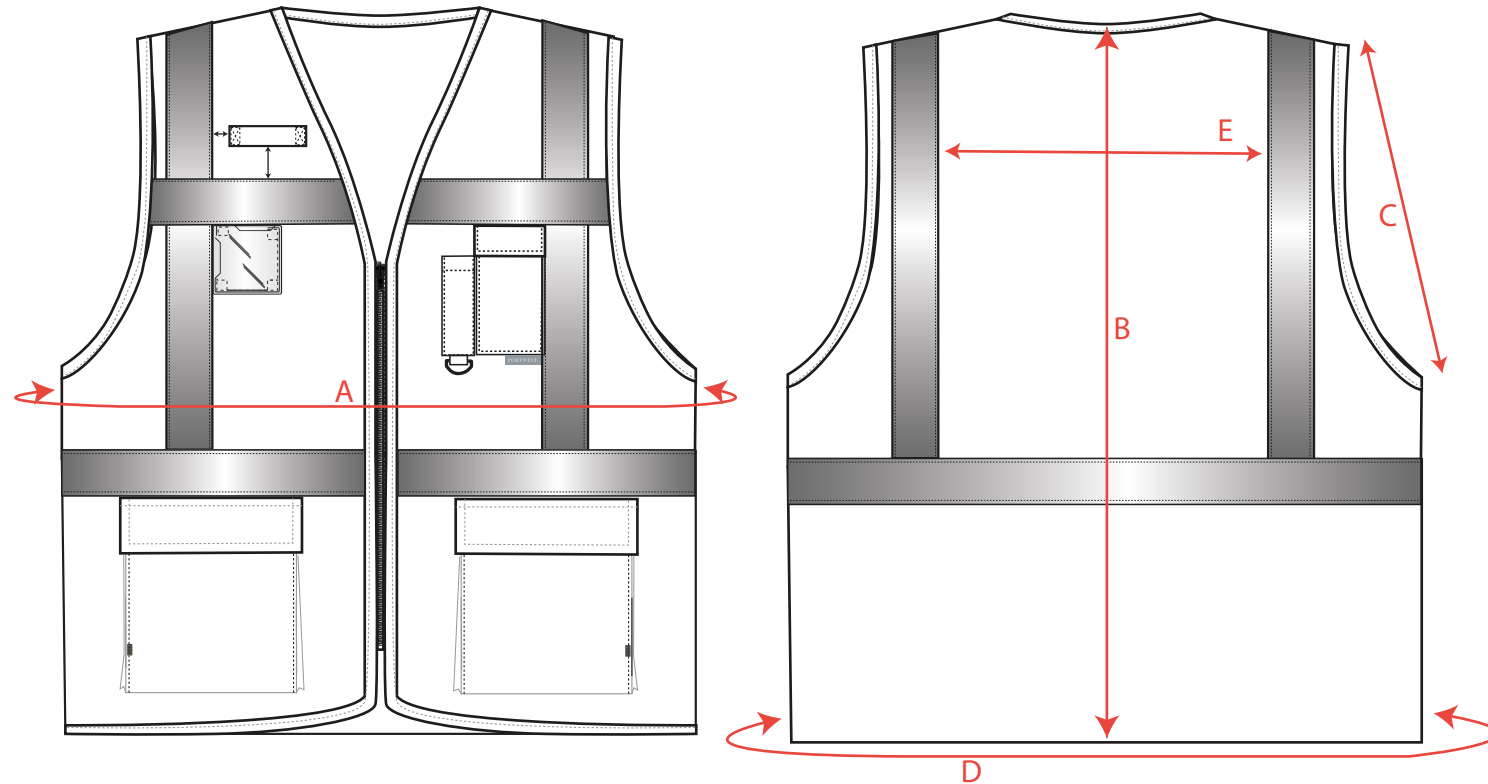


STYLE NO: S376

DESCRIPTION: PRAGUE EXECUTIVE VEST

FABRIC:

COLOUR:



Measurements in cm:		S	M	L	XL	XXL	3XL
A	Garment chest	104	112	120	132	140	148
B	Centre back length	75	75	75	75	75	75
C	Armhole	75	76	77	78	79	80
D	Hem	104	112	120	132	140	148
E	Distance between vertical bands of reflective tape	29	31	33	35	37	39