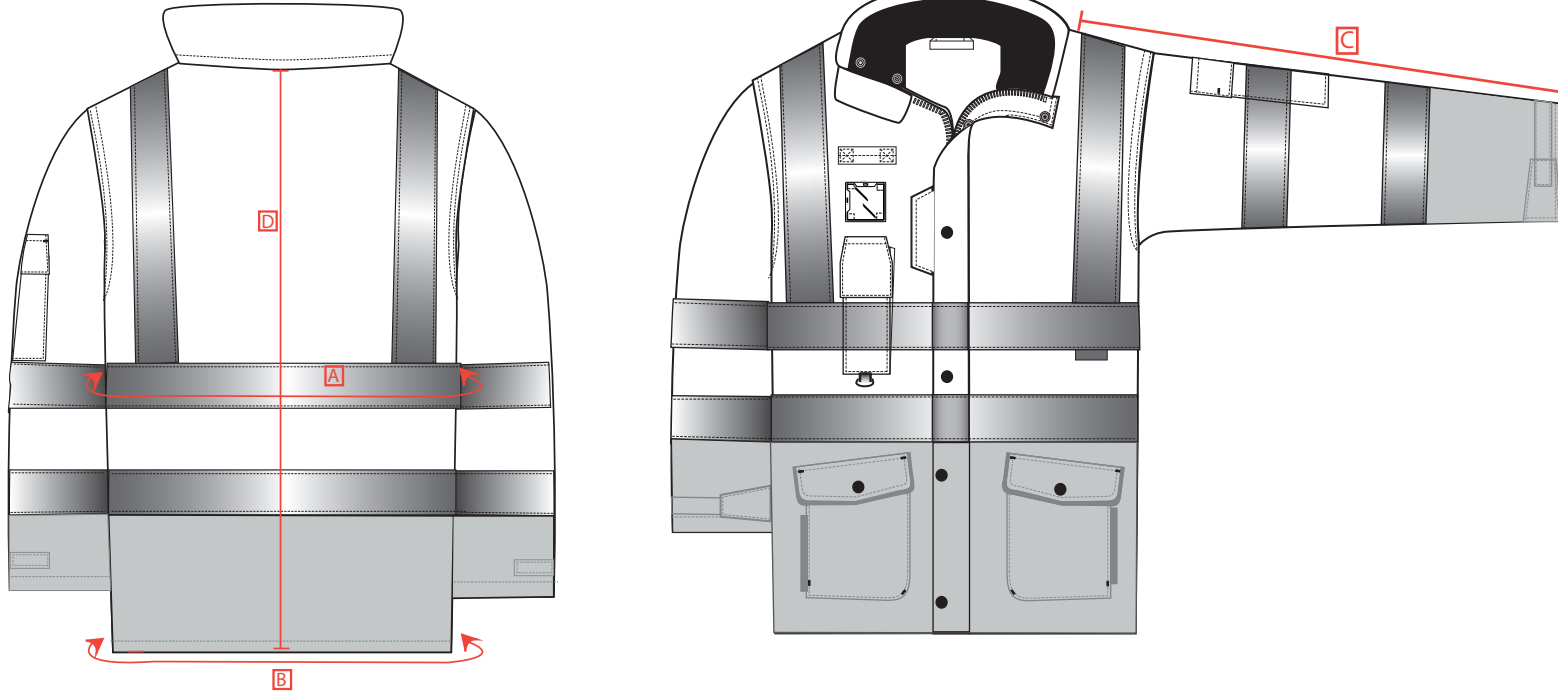


STYLE NO: **S426** DESCRIPTION: Hi-Vis 7-in-1 Contrast Traffic Jacket (Shell Jacket, Quilt Lined Jacket and Bodywarmer)



Colourway

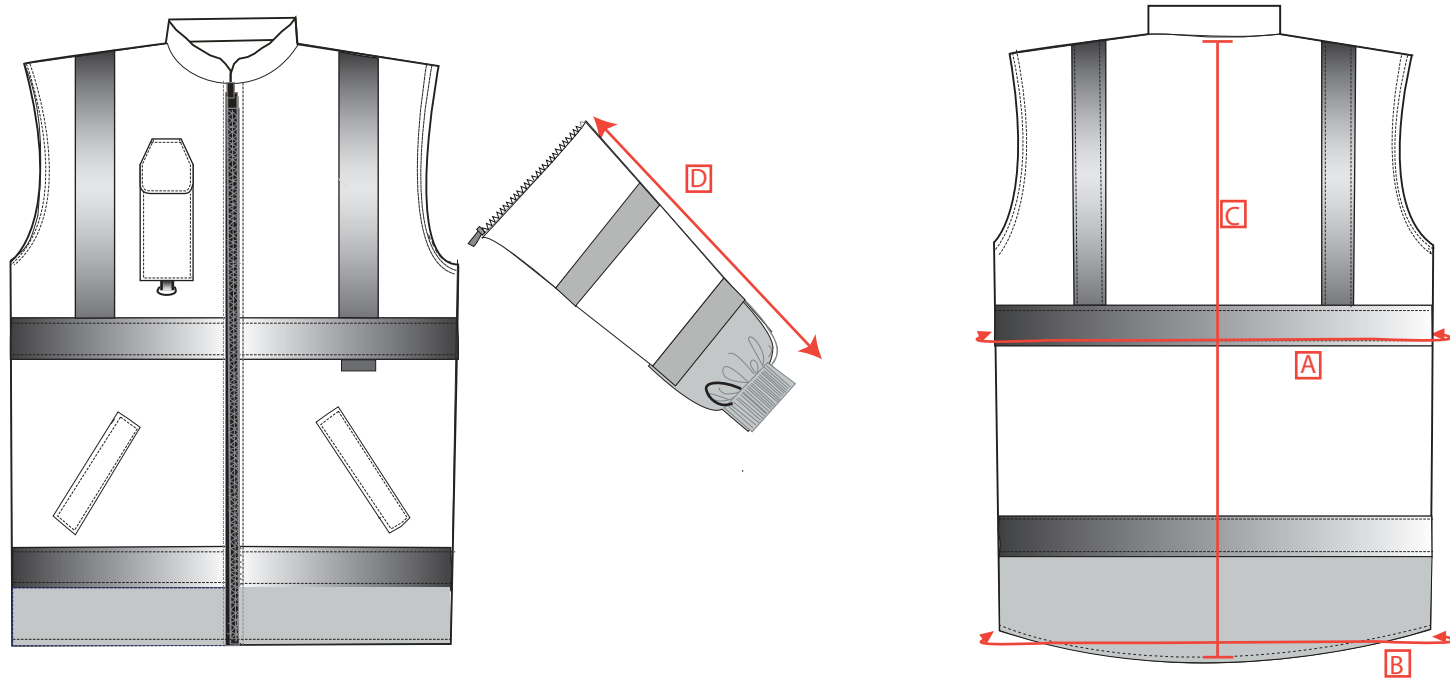


Outer Shell Jacket

| | | XS | S | M | L | XL | XXL | 3XL | 4XL | 5XL | TOL | Audit |
|----------------------------|---|-------|-------|---------|---------|---------|---------|---------|---------|---------|-----|-------|
| To Fit Chest | | 80-88 | 92-96 | 100-104 | 108-112 | 116-124 | 128-132 | 136-140 | 144-148 | 152-156 | | Size |
| Euro Sizes | | 1 | 2 | 3 | 4 | 5 | 6 | 7 | 8 | 9 | | |
| Jacket Chest | A | 110 | 118 | 126 | 134 | 142 | 150 | 158 | 166 | 174 | 1.5 | |
| Hem | B | 110 | 118 | 126 | 134 | 142 | 150 | 158 | 166 | 174 | | |
| Collar to Cuff (Incl.cuff) | C | 77.5 | 78 | 79.5 | 81 | 82.5 | 84 | 85.5 | 87 | 88.5 | 1.5 | |
| Center back length | D | 79 | 81 | 83 | 85 | 87 | 89 | 91 | 93 | 95 | 0.5 | |

STYLE NO: S426

DESCRIPTION: Hi-Vis 7-in-1 Contrast Traffic Jacket (Shell Jacket, Quilt Lined Jacket and Bodywarmer)



EN ISO 20471 Reversible Bodywarmer with Detachable Sleeves

| | | XS | S | M | L | XL | XXL | XXXL | 4XL | 5XL | Tol | Audit |
|----------------------|---|-------|-------|---------|---------|---------|---------|---------|---------|---------|-----|-------|
| To fit chest | | 80-88 | 92-96 | 100-104 | 108-112 | 116-124 | 128-132 | 136-140 | 144-148 | 152-160 | | Size |
| Euro size | | 1 | 2 | 3 | 4 | 5 | 6 | 7 | 8 | 9 | | |
| Chest | A | 104 | 112 | 120 | 128 | 136 | 144 | 152 | 160 | 168 | 1.5 | |
| Hem | B | 104 | 112 | 120 | 128 | 136 | 144 | 152 | 160 | 168 | 1.5 | |
| Nape to Hem | C | 74 | 74 | 76 | 78 | 80 | 82 | 84 | 86 | 88 | 1 | |
| Over arm (incl cuff) | D | 66.5 | 67 | 67.5 | 68 | 68.5 | 69 | 69.5 | 70 | 70.5 | | |